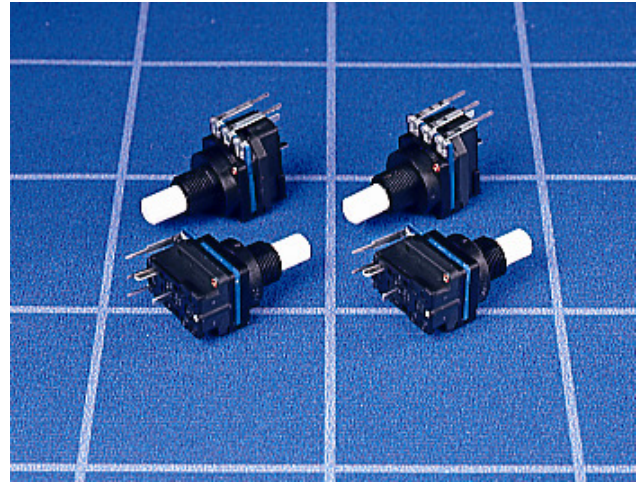


MDST ROTARY DIMMER SWITCHES

GENERAL ELECTRICAL & MECHANICAL SPECIFICATION

RoHS COMPLIANT

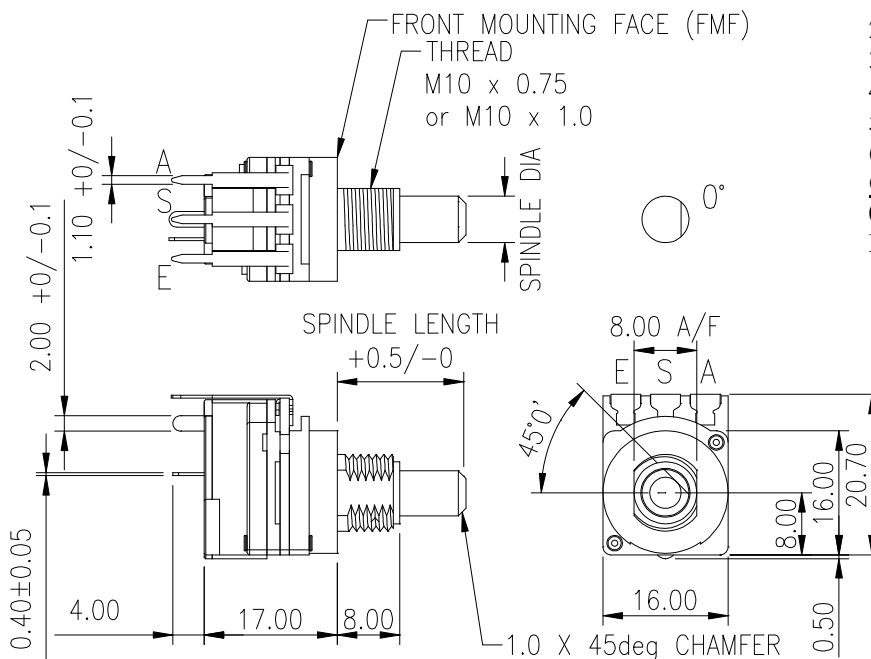
Switch Rating:	Type 1: 10(2.5)A @ 250Vac R Type 2: 4A/100A @ 250Vac R/C
Surge Rating:	Type 2 only. 100A (10 milliseconds)
Life:	>10,000 Cycles Type 1: >15,000 Cycles 4A/100A Type 2:
Operating Temperature:	-25 ° C to +100 ° C
Proof Voltage:	2,500Vac (Initial)
Insulation Resistance:	>999MΩ @ 500Vdc (Initial)
Resistance Values:	10K-1.5M Ohm
Track Rating:	0.2W
Resistance Curve:	Linear
Switch Function:	1- pole OFF/ON
Mains Switch On:	Approx 40 ° Rotation
Switch Torque:	3.5 – 7Ncm
End Stop Torque:	40Ncm (minimum)
Perm. Axial Load:	50N (maximum)
Fixing Nut Torque	1.1Nm (maximum)
Potentiometer Rotation:	270°
Potentiometer Torque:	0.2 – 0.6Ncm
Spindle:	Acetal Copolymer (POM)
Housing:	Polyamide 6.6 GF V0 Rated
Terminals:	Switch: Brass CZ108 Sn Plated. Potentiometer : Mild Steel Sn Plated



Switch Approved to EN61058 ENEC by VDE

GENERAL FEATURES

- Made in UK.
- Contact Gap >3mm.
- Rotary Switch with rotary potentiometer in common housing
- Solder terminals with or without holes
- Used in lighting dimmer controls
- Wide range of Resistance values available
- **Options also available include:-**
 - Ø4.0 Metal spindle
 - AS & ES Termination available
 - Non-Linear Resistance curve



SPINDLE SIZES AVAILABLE

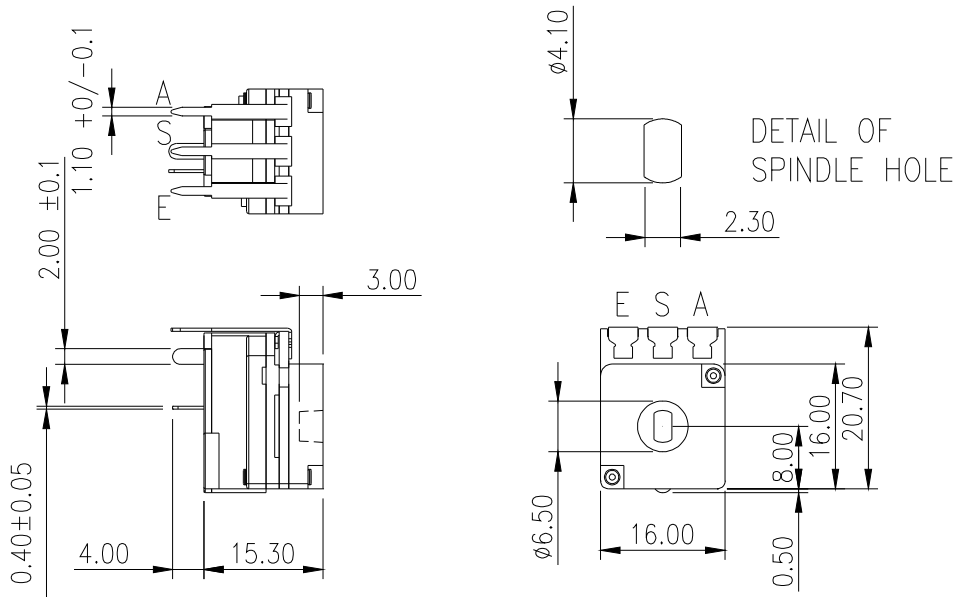
- 1 = Ø6.0 x 25 to FMF
 - 2 = Ø6.0 x 18.5 to FMF x 5.0 A/F @ 0°
 - 3 = Ø6.0 x 16.5 to FMF
 - 4 = Ø6.3 x 16.5 to FMF x 5.5 A/F @ 45°
 - 5 = Ø6.3 x 26 to FMF x 5.5 A/F @ 45°
- (Others available on request)

CLOCKWISE ROTATION

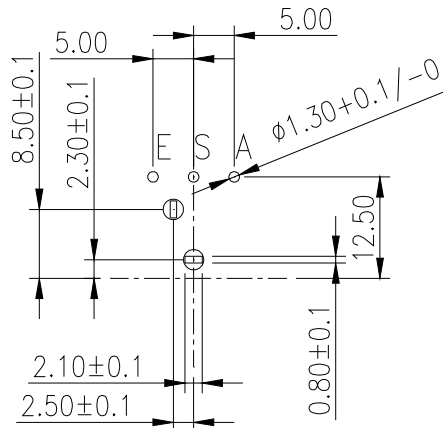
- 0 – max Ohms = AS
- Max – 0 Ohms = ES

MDST ROTARY DIMMER SWITCHES

NO BUSH VERSION



TYPICAL PCB LAYOUT



ORDERING CODE

